



Instruction manual



Starter Kit

# Smart BBQ Experience



+



# Table of Contents

<b>1</b>	<b>Introduction.....</b>	<b>4</b>
1.1	The Grill Control Device .....	5
1.2	Technical data .....	6
1.3	Explanation of symbols .....	7
1.4	Scope of delivery .....	8
1.5	Optional accessories .....	9
<b>2</b>	<b>Safety instructions .....</b>	<b>10</b>
<b>3</b>	<b>Intended purpose .....</b>	<b>12</b>
<b>4</b>	<b>Intended use .....</b>	<b>14</b>
4.1	Before first use .....	14
4.2	Attaching the magnetic adapter .....	14
4.3	Putting into service .....	16
4.4	Offset grilling .....	18
4.5	Switching off the device .....	18
4.6	Overview of the status signals of the control button .....	19
4.7	Changing the adapter kit .....	20
<b>5</b>	<b>Maintenance, cleaning and care .....</b>	<b>22</b>
5.1	Maintenance .....	22
5.2	Cleaning and care .....	22
5.3	Storage and transport .....	23
<b>6</b>	<b>Troubleshooting .....</b>	<b>24</b>
<b>7</b>	<b>Disposal information .....</b>	<b>26</b>
<b>8</b>	<b>Declaration of conformity .....</b>	<b>27</b>
	<b>Index.....</b>	<b>29</b>

# 1 Introduction

Thank you for purchasing your new Grill Control!

You have chosen a high-quality product, and we want to make sure our customers experience full enjoyment when using their device.



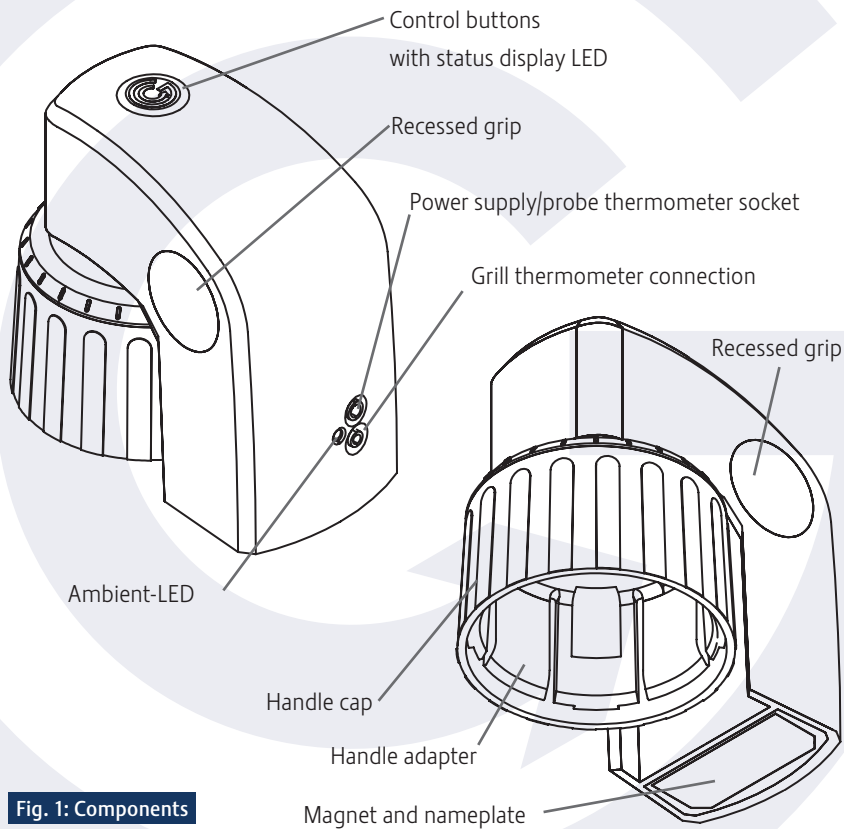
Familiarise yourself with the device before using it for the first time. Read the following instruction manual and the safety instructions carefully.

Every grill manufacturer uses different control dials. Therefore, the Grill Control Device is available in different versions for the individual manufacturers. The handle adapter, which is located inside the handle cap, fits exactly on the control dials of the respective manufacturer from which you bought your device.

Use the device only as described and for the specified ranges of application. Keep this manual in a safe place.

When handing the device over to third parties, include all documentation. This contains important details about the device, including instructions for assembly and use, storage and safety instructions.

## 1.1 The Grill Control Device



**Fig. 1: Components**

## 1.2 Technical data

<b>Model</b>	Grill Control Device
<b>Battery type</b>	Li-ion 3.7V, 2600 mAh
<b>Battery charge</b>	5V DC, 1A (USB standard)
<b>Battery charging time</b>	approx. 3h
<b>Battery life</b>	> 20h
<b>Ambient temperature during operation</b>	-8°C to 45°C
<b>Storage temperature</b>	0°C to 40°C

Specifications are subject to change without prior notice.

## 1.3 Explanation of the symbols

Symbol

Meaning



**Caution!** A dangerous situation which can lead to damage or injury if not observed.



**Warning!** Risk of burns



**Note!** Follow the instructions in the instruction manual.



Recommendation for reliable use



**Attention: strong magnetic field!** Users with a pacemaker should pay particular attention.



**Bluetooth®**

Use of Bluetooth wireless technology



European Conformity. Compliance with EU Directives

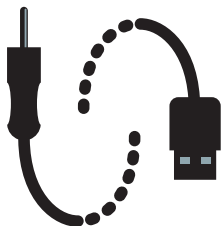


**Note!** Observe the environmental and waste disposal regulations.

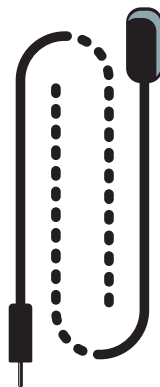
## 1.4 Scope of delivery



Grill Control Device



Charging cable for  
USB power supply units



Grill thermometer  
(only in Starter Kit)



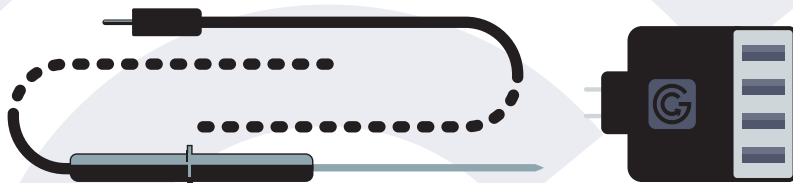
Magnetic adapter

**Fig. 2: Components**

Also: Cleaning cloth, instructions for use



## 1.5 Optional accessories



Probe thermometer

USB power supply unit



Companion Devices



Adapter kits for other grill manufacturers

**Fig. 3: Optional accessories**

## 2 Safety instructions



The grill with the mounted Grill Control Device must not be left unattended. Grill Control assists the user in reaching and maintaining the desired grilling temperature, but it cannot be used to fully control the grill.



Grill Control supports you during the grilling process to achieve optimal results. Switching the gas barbecue on and off must still be done manually by the user.



The device **ONLY** controls the burner on which the control device is mounted (i.e. the burners on which control devices are mounted). If you manually switch on additional burners, the Grill Control device cannot guarantee targeted temperature control.



The manufacturer accepts no responsibility for injury or damage due to improper use. Keep the instruction manual within reach.



For a secure hold and optimal operation of the control device on your grill, we recommend using the magnetic adapter included in the package, even if the cover of your grill itself is magnetic. Please note that the magnetic adapters are fitted with a strong adhesive surface. These are difficult to remove from the gas barbecue.



Make sure that the handle adapter of the device sits securely on the control dial of your gas barbecue and can be turned smoothly.



Use the app to start a motor test to check whether the entire turning range of the controller can be effectively used.



The temperature sensors located in the cooking chamber of your gas barbecue and their feed pipes become correspondingly hot during the barbecue process and can burn the skin if touched. To avoid burns, we recommend wearing protective gloves.



The device is equipped with a strong permanent magnet for mounting onto the gas barbecue. Users with a pacemaker must pay special attention to the hazards that this can entail.



We recommend that you switch off the control device(s) in use and recharge the batteries when you have finished grilling.



The optionally available probe thermometer for measuring the core temperature of the grilled food has a very pointed end and due to this there is a risk of injury. We recommend wearing protective gloves.



Once the Bluetooth connection to the smartphone is interrupted, the device switches itself off after 5 minutes.



The device is splash-proof, but not waterproof. Do not use it in the rain, do not hold it under water and keep it protected from rain and weather.

### 3 Intended purpose



The device is used to measure, monitor and control the temperature of a gas barbecue fitted with it. Uses other than those described may cause damage to the device. The manufacturer accepts no liability for damage resulting from improper use.



Only the original grill control sensors (according to Fig. 2/3, grill thermometer and probe thermometer) may be used to measure the grill temperature and core temperature of the grilled food. Using other models will produce an incorrect result and may cause damage to the device.



The device can be charged using standard USB chargers. We recommend the commercially available USB power supply for the grill control device. The supplied charging cable must be used to charge the device. Other cables, even similar ones, may damage the device.



The device must not be used by people with reduced physical, sensory or mental capabilities.



The grill control device and accessories are not toys and are not suitable for children under 14 years of age.



Do not attempt to open or alter the device. Modifications to the device invalidate the warranty and the operating permit. Only use the grill control device as described in this instruction manual. Any other use may result in product and/or property damage.

## 4 Intended use

### 4.1 Before first use

Install the Grill Control App (available free of charge for Android and iOS) on your smartphone. Unpack your new device and familiarise yourself with the contents.

Charge the battery of the device by plugging the charging cable into the upper of the two sockets of the device (see Fig. 9). Connect the USB plug to a USB power supply. During charging, the control button (see Fig. 1) on the device pulsates. As soon as the control button goes out or starts flashing, the battery is fully charged.

### 4.2 Attaching the magnetic adapter

The magnetic adapter should be attached to your gas barbecue below the controller you want to use for your device.



**Attention:** To ensure a secure fit, the magnetic adapter is delivered with a strong adhesive. Think carefully about where you want to place the device!

1. Clean the area under the controller thoroughly with the cleaning cloth provided.



**Fig. 4: Cleaning the surface**

3. Mark the lower part of the housing on the front panel of your grill.



**Fig. 6: Marking the position of the device**

2. Place the device vertically on the gas barbecue controller so that the magnetic surface of the device is vertically below the controller.



**Fig. 5: Positioning the device**

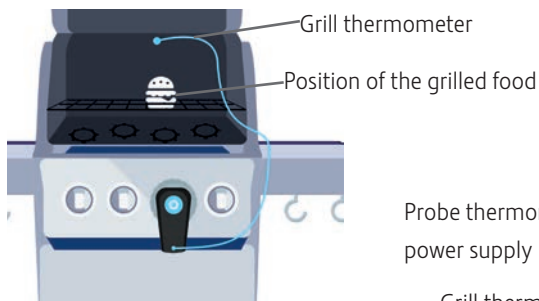
4. Now glue the magnetic adapter to the marked spot and press it firmly. Let the glue dry for about 12 hours before you position the device for the first time



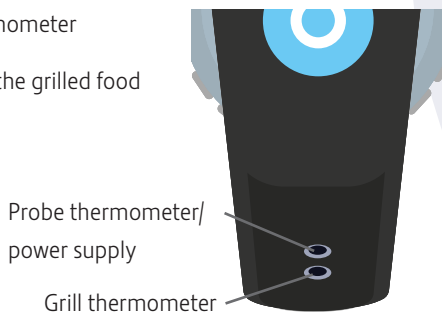
**Fig. 7: Gluing the magnetic adapter**

## 4.3 Putting into service

1. Switch on your device by pressing and holding the control button (see Fig. 1) on the device for approx. 2 seconds until it starts flashing.
2. Open the Grill Control App and follow the instructions in the app. Your smartphone will now establish a Bluetooth connection and automatically recognise your device the next time you start it. The Bluetooth connection is established when the control button glows steadily. Repeat the process if you want to pair more devices.
3. Position the barbecue thermometer (see Fig. 2) under the grill hood in a suitable place for your BBQ and attach it using the magnetic holders. Lead the cable out of the side of the grill (e.g. Fig. 8).



**Fig. 8: Positioning of the temperature sensor**



**Fig. 9: Connection sockets**



4. Start your gas barbecue by turning on the burner that you would like to control with the Grill Control device. Turn the burner knob anticlockwise to the lowest setting.
5. Now place the device vertically on the control dial of your gas barbecue so that the device is firmly fixed to the previously attached magnetic adapter and the handle cap can be rotated smoothly using the control dial. Connect the grill thermometer to the lower socket of the device (see Fig. 9).



Fig. 10: Start grilling

6. Start the grilling process in the app (see Fig. 10). The Grill Control turns the knob counter-clockwise to ensure that the dial is set to the lowest flame. Now select an option from the menu (see Fig. 11) and follow the options in the app. After pressing the “Start grilling” button, your device will start the process.

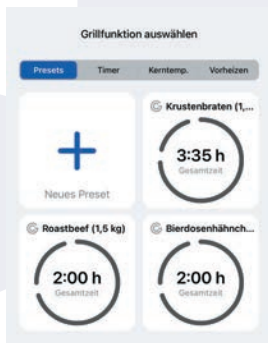


Fig. 11: Grill function menu of the app

7. If you have a Grill Control probe thermometer (optional accessory, see Fig. 3), you can connect it to the lower socket of the device (see Fig. 1) and insert it into your grilled food at an appropriate place.

## 4.4 Offset grilling

If you do not reach the desired temperature using your device, you can turn on another burner manually at a low-to-medium setting. Your device regulates the temperature close to the offset setting.

## 4.5 Switching off the device

Press the control button (see Fig. 1) for about 3 seconds to switch off the device.



If you press and hold the control button for more than 10 seconds, you reset the device to factory settings. This removes all active Bluetooth connections to the device. Your data stored in the app remains unaffected.

A reset of the device may be necessary before it can be paired with a new smartphone.

## 4.6 Overview of the status signals of the control button

**Control button flashes**

The device is switched on  
No Bluetooth connection  
to the Grill Control App

**Control button glows steadily**

The device is in operation  
The Bluetooth connection to the Grill Control  
App is established

**Control button pulses**

The device battery is charging

**Control button flashes briefly  
during operation**

Battery level below 20%

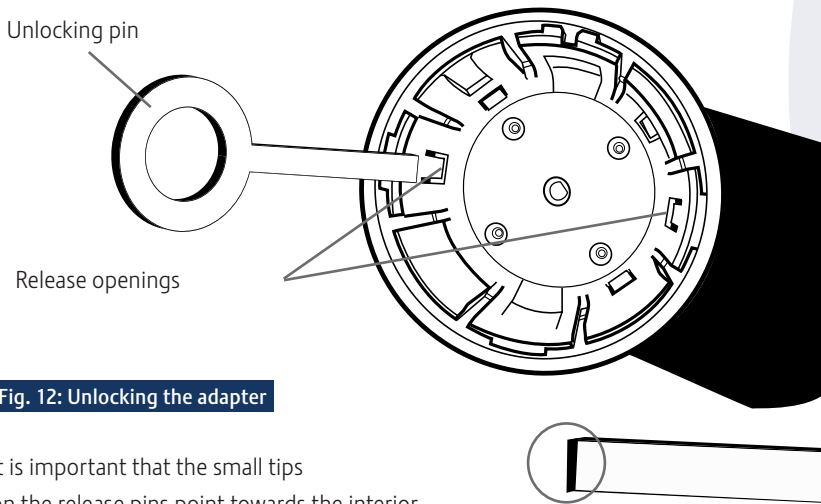


You can find more information and tips online at  
**[www.grillcontrol.eu](http://www.grillcontrol.eu)**

## 4.7 Changing the adapter kit

If you use grills from different manufacturers, you can adapt your Grill Control Device to other grills with the adapter kit that is available as an optional accessory. The adapter kit includes the alternative handle adapter and two release pins.

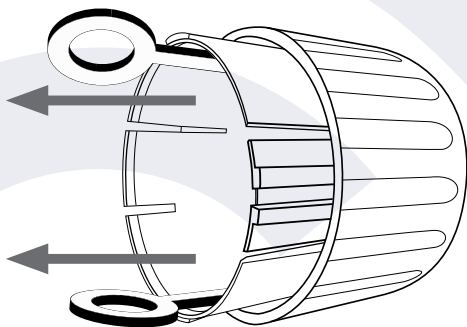
To change the handle adapter, both release pins are inserted into the two opposite openings inside the handle cap.



**Fig. 12: Unlocking the adapter**

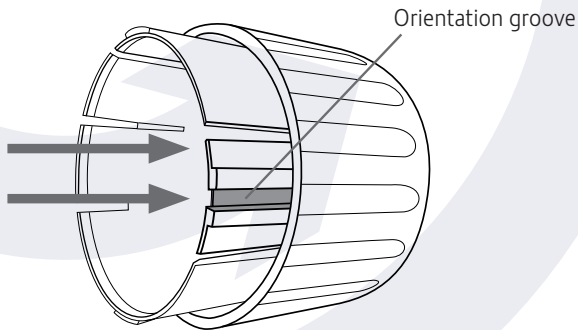
It is important that the small tips on the release pins point towards the interior.

The handle adapter can then be pulled out using the release pins.



Removing the adapter

When inserting the alternative handle adapter into the handle cap, pay attention to the orientation groove. Slide the alternative handle adapter all the way into the handle cap until it clicks into place.



**Fig. 13: Inserting the adapter**

## 5 Maintenance, cleaning and care

### 5.1 Maintenance



The Grill Control Device and accessories do not require regular maintenance when used as intended.



We recommend that you fully recharge the battery after each use.

Check regularly that the control dials on your gas barbecue can move smoothly and are not dirty.

### 5.2 Maintenance and care



Clean your device using only a damp cloth and a little mild detergent if necessary.



Do not immerse your Grill Control Device in water or clean it under running water!

The grill thermometer and the optional probe thermometer can be cleaned with a standard kitchen sponge and dishwashing detergent.

## 5.3 Storage and transport

Store the device and accessories in a dry place under normal storage conditions.



Do not expose your device to strong sunlight for extended periods.



The device is splash-proof, but not waterproof. Do not use it in the rain and keep it protected from rain and other weather conditions.

## 6 Troubleshooting

<b>Problem</b>	The Grill Control Device does not respond.
<b>Possible cause</b>	<b>The Grill Control Device is not switched on.</b>
<b>Action</b>	Press the control button for approx. 2 seconds to switch on the device.
<hr/>	
<b>Possible cause</b>	<b>Battery is not charged</b>
<b>Action</b>	Fully charge the battery.





**Problem**

The Grill Control Device does not connect to the app on the smartphone.

**Possible cause**

**The Grill Control Device was controlled by another smartphone**

**Action**

Reset the Bluetooth database in the app under Settings.

---

**Possible cause**

**Other errors**

**Action**

Reset the device to factory settings by pressing and holding the control button for approx. 10 seconds when the device is switched off. When released, the button briefly flashes 4 times.

## 7 Disposal information



Do not dispose of the device with general household waste! Take it to a collection point for electrical appliances, return it to your dealer or send it to the manufacturer.



Li-ion

## 8 Konformitätserklärung

Product:  
Grill Control

Manufacturer:  
Lakeside Innovation GmbH  
CE-Management  
Karl-Bücheler-Str. 10  
78315 Radolfzell

### **Declaration:**

We, Lakeside Innovation GmbH, hereby declare under our sole responsibility that the product to which this declaration refers complies with the relevant safety and health requirements including all modifications. The standards and/or technical specification(s) listed below have been used to properly implement the health and safety requirements stated in the EC Directives.

Subject of the declaration: A wireless temperature control for gas barbecue, motor unit, transmitter/receiver (Bluetooth/WLAN), rechargeable lithium-ion battery, two temperature sensors, charging cable, holder for motor unit (device) and temperature sensor (magnet).

The subjects of this declaration described above comply with the relevant harmonisation legislation of the European Union:

- Directive 2014/35/EU (Low Voltage Directive), Directive 2014/30/EU (EMC Directive),
- Directive 2011/65/EU (RoHs Directive),
- Directive 2012/19/EU (Waste Electrical and Electronic Equipment, WEEE),
- Regulation (EC) 1935/2004 on materials and articles intended to come into contact with food
- Harmonised standards:
  - DIN EN 60335-1 VDE 0700-1:2020-08,
  - DIN EN IEC 63000:2019-05 VDE 0042-12:2019-05,
  - DIN EN 55014-1-2018-08 VDE 0875-14-1.
  - DIN EN 62368-1:2017-07 VDE 0868
  - DIN EN 301489-17 – V3.2.2:2019-12
  - DIN EN 301489-1:2020-06

The subject of this declaration only works using an app on a compatible mobile device that connects to the appliance.

**Signed for and on behalf of**

Lakeside Innovation GmbH  
CE Management  
Karl-Bücheler-Strasse 10  
78315 Radolfzell  
Germany

11 January 2021  
Dipl.-Ing. Klaus Asshauer  
Management

# Index

## A

Adapter kit 9, 20, 21

## B

Bluetooth connection 12, 16, 19

## C

Change adapter kit 20, 21

Cleaning and care 22

Components 5

Connection socket 5, 16, 17

Control buttons 5, 14, 16, 18, 19

## D

Disposal 25

## E

Explanation of symbols 7

## G

Grill thermometer 5, 8, 13, 16, 17

## H

Handle adapter 5, 20, 21

Handle cap 5, 17, 20, 21

## I

Intended purpose 12

## M

Magnetic adapter 8, 10, 11, 14, 15, 17

Maintenance 22

## N

Nameplate 5

## O

Optional accessories 9

## P

Pair device 16

Position device 15, 17

Probe thermometer 5, 9, 12, 13, 18,  
22, 23

Putting into service 4, 16

## **R**

Reset device 18

## **S**

Safety instructions 4, 10

Scope of delivery 8

Status signals 19

Storage and transport 23

Switch off device 18

Switch on device 16, 19, 24

## **T**

Technical data 6

Troubleshooting 24

## **U**

Use 14

EU Patent No.: EU 3603466

US Patent No.: US 11,191,388 B2



Smart BBQ  
Experience

# Starter Kit



**GRILL**  
CONTROL

Lakeside Innovation GmbH

Karl-Bücheler-Str. 10

78315 Radolfzell

E-Mail: [info@lakesideinnovation.de](mailto:info@lakesideinnovation.de)

Web: [lakesideinnovation.de](http://lakesideinnovation.de)



**Made in  
Germany**

